



Operating Instructions and Parts Manual

Portable Woodworking Dust Collector

Model DC-500P



JET
427 New Sanford Road
LaVergne, Tennessee 37086
Ph.: 800-274-6848
www.jettools.com

Part No. M-717500
Edition 1 06/2018
Copyright © 2018 JET



1.0 IMPORTANT SAFETY INSTRUCTIONS

When using an electrical appliance, basic precautions should always be followed, including the following:

READ ALL INSTRUCTIONS BEFORE USING THIS DUST COLLECTOR.

WARNING – To reduce the risk of fire, electric shock, or injury:

1. Read and understand entire owner's manual before attempting assembly or operation of this dust collector.
2. Read and understand the warnings posted on the machine and in this manual.
3. Replace warning labels if they become obscured or removed.
4. This dust collector is designed and intended for use by properly trained and experienced personnel only. If you are not familiar with the proper and safe operation of a dust collector, do not use until proper training and knowledge have been obtained.
5. Do not use this dust collector for other than its intended use. If used for other purposes, JET disclaims any real or implied warranty and holds itself harmless from any injury that may result from that use.
6. Always wear approved safety glasses/face shield while using this dust collector. Everyday eyeglasses only have impact resistant lenses; they are not safety glasses.
7. Keep hair, loose clothing, fingers, and all parts of body away from openings and moving parts.
8. Wear hearing protection (plugs or muffs) during extended periods of operation.
9. CALIFORNIA PROPOSITION 65 WARNING: This product contains chemicals known to the State of California to cause cancer, or birth defects or other reproductive harm.
10. WARNING: Drilling, sawing, sanding or machining wood products generates wood dust and other substances known to the State of California to cause cancer. Avoid inhaling dust generated from wood products or use a dust mask or other safeguards to avoid inhaling dust generated from wood products.
11. Wood products emit chemicals known to the State of California to cause birth defects or other reproductive harm. (California Health and Safety Code Section 25249.6)
12. Do not operate this machine while tired or under the influence of drugs, alcohol or any medication.
13. Make certain the switch is in the **OFF** position before connecting the machine to the power supply. Turn off all controls before unplugging.
14. Make certain the machine is properly grounded. Connect to a properly grounded outlet only. See Grounding instructions.
15. Make all machine adjustments or maintenance with the machine unplugged from the power source.
16. Remove adjusting keys and wrenches. Form a habit of checking to see that keys and adjusting wrenches are removed from the machine before turning it on.
17. Keep safety guards in place at all times when the machine is in use. If removed for maintenance purposes, use extreme caution and replace the guards immediately after maintenance is complete.
18. Check damaged parts. Before further use of the machine, a guard or other part that is damaged should be carefully checked to determine that it will operate properly and perform its intended function. Check for alignment of moving parts, binding of moving parts, breakage of parts, mounting and any other conditions that may affect its operation. A guard or other part that is damaged should be properly repaired or replaced.
19. Provide for adequate space surrounding work area and non-glare, overhead lighting.
20. Keep the floor around the machine clean and free of scrap material, oil and grease.
21. Keep visitors a safe distance from the work area. **Keep children away.**
22. Make your workshop child proof with padlocks, master switches or by removing starter keys.
23. Give your work undivided attention. Looking around, carrying on a conversation and "horse-play" are careless acts that can result in serious injury.
24. The dust collector is intended for indoor use. To reduce the risk of electric shock, do not use outdoors or on wet surfaces.

25. Do not use this dust collector for anything except wood dust. Materials such as liquids, metal shavings, metal dust, screws, glass, plastic or rock can cause sparks and/or damage when coming into contact with any part of the dust collector.
26. Do not use to pick up anything that is burning or smoking, such as cigarettes, matches or hot ashes.
27. Do not use to pick up flammable or combustible liquids such as gasoline, or use in areas where they may be present.
28. Do not pull or carry by cord, use cord as a handle, close a door on cord, or pull cord around sharp edges or corners. Do not run dust collector over cord. Keep cord away from heated surfaces.
29. Do not use this dust collector with a damaged cord or plug. If the unit is not working as it should, has been dropped, damaged, left outdoors, or dropped into water, return it to a service center.
30. Do not unplug by pulling on cord. To unplug, grasp the plug, not the cord.
31. Do not use without dust bag and/or filters in place.
32. Do not handle plug or machine with wet hands.
33. Do not put any objects into the openings. Do not use with any opening blocked; keep free of dust, lint, hair, and anything that may reduce air flow.
34. Keep hands and fingers away from inlet and exhaust ports during operation.
35. Do not operate without hose connected to the inlet. Place cap on unused inlet port. Hazardous moving parts inside.
36. Use recommended accessories; improper accessories may be hazardous.
37. Maintain tools with care. Follow instructions for lubricating and changing accessories.
38. Turn off machine and disconnect from power before cleaning. Use a brush or compressed air to remove chips or debris; do not use bare hands.
39. Do not leave the machine when it is plugged in. Unplug from outlet when not in use and before servicing.
40. Do not stand on the machine. Serious injury could occur if the machine tips over.
41. The dust collector is intended for household (non-industrial) use.

Familiarize yourself with the following safety notices used in this manual:



This means that if precautions are not heeded, it may result in minor injury and/or possible machine damage.



This means that if precautions are not heeded, it may result in serious, or possibly even fatal, injury.

SAVE THESE INSTRUCTIONS

2.0 About this manual

This manual is provided by JET, covering the safe operation and maintenance procedures for a JET Model DC-500P Dust Collector. This manual contains instructions on installation, safety precautions, general operating procedures, maintenance instructions and parts breakdown. Your machine has been designed and constructed to provide consistent, long-term operation if used in accordance with the instructions set forth in this document.

This manual is not intended to be a guide to dust removal strategies, installation of larger collection systems, or the use of optional dust collecting accessories. Additional knowledge may be obtained from experienced users, trade articles or website forums. Whatever accepted methods are used, always make personal safety a priority.

If there are questions or comments about this product, please contact your local supplier or JET. JET can also be reached at our web site: www.jettools.com.

Retain this manual for future reference. If the machine transfers ownership, the manual should accompany it.

Register your product using the mail-in card provided, or register online:

<http://www.jettools.com/us/en/service-and-support/product-registration/>

3.0 Table of contents

Section	Page
1.0 IMPORTANT SAFETY INSTRUCTIONS	2
2.0 About this manual	3
3.0 Table of contents.....	4
4.0 Specifications.....	5
5.0 Setup and assembly.....	6
5.1 Unpacking	6
5.2 Shipping contents.....	6
5.3 Tools required for assembly.....	6
5.4 Assembly.....	7
5.5 Wall mounting.....	8
6.0 Electrical connections	8
6.1 GROUNDING INSTRUCTIONS	8
6.2 Voltage conversion.....	9
6.3 Extension cords.....	9
6.4 Grounding wire information	9
7.0 Operation	10
7.1 Switch key	10
8.0 User-maintenance	10
8.1 Additional servicing	10
9.0 Troubleshooting DC-500P Dust Collector	11
10.0 Replacement Parts.....	12
10.1.1 DC-500P Portable Dust Collector – Exploded View.....	12
10.1.2 DC-500P Portable Dust Collector – Parts List.....	13
11.0 Electrical Connections for DC-500P.....	14
11.1 Electrical Connections for 3/4HP, 1PH, 115V only.....	14
11.2 Electrical Connections for 3/4HP, 1PH, 230V only.....	14
12.0 Warranty and service	15

The specifications in this manual were current at time of publication, but because of our policy of continuous improvement, JET reserves the right to change specifications at any time and without prior notice, without incurring obligations.

4.0 Specifications

Table 1

Model number	DC-500P
Stock number	717500
Motor and electrical	
Motor type	totally enclosed fan cooled, induction, capacitor start
Horsepower	3/4HP (0.55 kW)
Phase	1 PH
Voltage	115/230 V
Cycle	60 Hz
Listed FLA (full load amps)	7.5/3.75 A
Starting amps	24/15 A
Running amps (no load)	6/3.1 A
Running capacitor	30 μ F 250VAC
On/off switch	HY7 Toggle with removable safety key
Motor speed (no load)	3450 RPM
Power cord	16AWG x 3C, 6-1/2 ft.
Power plug included	5-15P
Recommended circuit size ¹	15 A
Sound emission ²	78 dB
Capacities	
Dust inlet outside diameter	3-15/16 in. (100 mm)
Hose diameter	4 in. (102 mm)
Maximum nominal air flow	500 CFM (14.6 m ³ /min)
Air velocity at 4 in.	6690 FPM (34 m/s)
Maximum static pressure loss (WC)	5.8 inH ₂ O (147.3 mmH ₂ O)
Impeller	
Type	radial fin
Diameter	9 in. (228.6 mm)
Fin thickness	14 ga. (2mm)
Material	steel
Collection bag	
Bag material	cloth, 5 micron
Bag size (Dia. x L), when inflated	16 x 24 in.
Bag capacity	4.7 cu. ft. (0.13 CBM)
Main materials	
Base	sheet metal
Body/housing	sheet metal
Dust funnel	plastic
Dust hose	PVC
Paint finish	powder coat
Dimensions	
Approx. overall dimensions, assembled (LxWxH)	24 x 16 x 46 in. (610 x 407 x 1169 mm)
Shipping carton dimensions (LxWxH)	19 x 16.5 x 22 in. (480 x 420 x 560 mm)
Weights	
Net weight	48 lbs. (22 kg)
Shipping weight	59.5 lbs. (27 kg)

¹ Subject to local/national electrical codes. Recommendation based upon dedicated circuit.

² The specified values are emission levels and are not necessarily to be seen as safe operating levels. As workplace conditions vary, this information is intended to allow the user to make a better estimation of the hazards and risks involved only.

L = length, W = width, H = height

⚠WARNING

Read and understand the entire contents of this manual before attempting assembly or operation. Failure to comply may cause serious injury.

5.0 Setup and assembly

5.1 Unpacking

Remove all contents from shipping carton and compare to the contents list in this manual. If shipping damage or any part shortages are identified, contact your distributor. Do not discard shipping materials until dust collector is assembled and running satisfactorily.

5.2 Shipping contents

Main carton (see Figure 5-1)

- 1 Main unit – A
- 1 Flexible hose – B
- 1 Collection bag – C
- 2 4" Dia. Wire clamps – D
- 1 5" Dia. wire clamp – E
- 1 Dust funnel – F
- 4 Casters with fasteners – G
- 1 Wall mount plate – H
- 1 Upper support tube – I
- 1 Funnel support bracket – J
- 1 Locking lever – K
- 1 Inlet cap – L
- 1 Lower support tube – M
- 1 Inlet adaptor – N

Fasteners (see Figure 5-2):

- 2 Carriage bolts M8x20 – HP1
- 2 Lock washers 8mm – HP2
- 3 Flat washers 8mm – HP3
- 2 Hex nuts M8 – HP4
- 2 Butterfly clamps – HP5
- 1 Hex cap lag screw – HP6
- 2 Phillips self-tapping screws – HP7
- 2 Screw anchors – HP8
- 2 Flat washers 8mm – HP9
- 2 Hex nylon lock nuts M8 – HP10



Figure 5-1

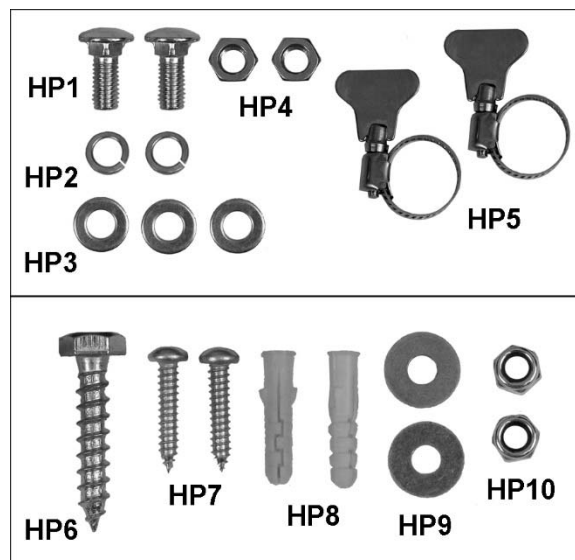


Figure 5-2 (detail of fasteners)

5.3 Tools required for assembly

- 13mm wrench
- 17mm wrench
- Cross-point (Phillips) screwdriver
- Drill with 1/4" and 5/16" bits (if mounting to wall)

5.4 Assembly

1. Install casters (G, Figure 5-3), to base, using the fasteners supplied with each caster, in the order as shown. Tighten the hex nut and cap nut to secure.

A caster can be locked in position by pushing down on the adjoining lever. Push up lever to unlock caster.

NOTE: If Dust Collector will be wall-mounted, proceed to sect. 5.5, then return to this section for further assembly.

2. Remove protective cap from tube holder, and install butterfly clamp (HP5) and lower support tube (M). Tighten butterfly clamp to secure.

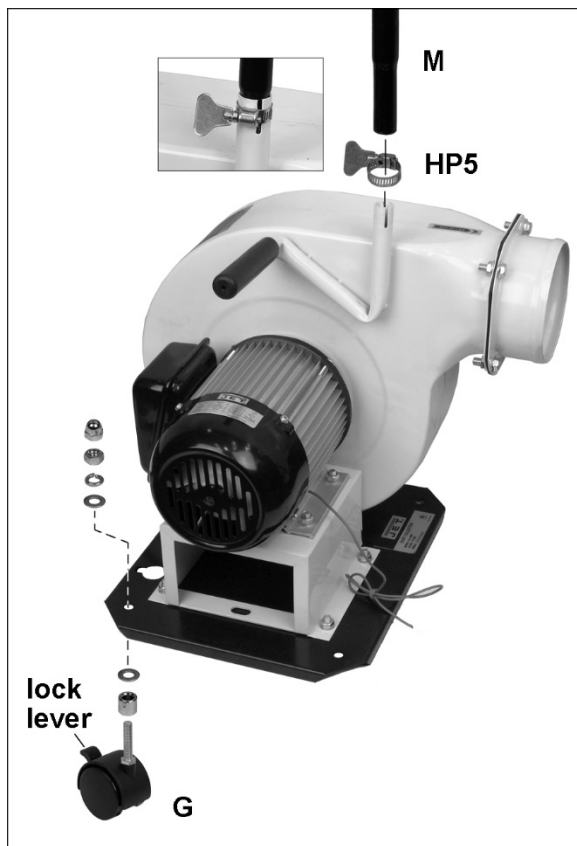


Figure 5-3

3. Install upper support tube (I) and secure with butterfly clamp (HP5). See Figure 5-4.
4. If funnel will be used, mount funnel bracket (J) to upper support tube (I) with locking lever (K) and washer (HP3). Install funnel (F) with carriage bolts, washers and nuts (HP1/2/3/4).

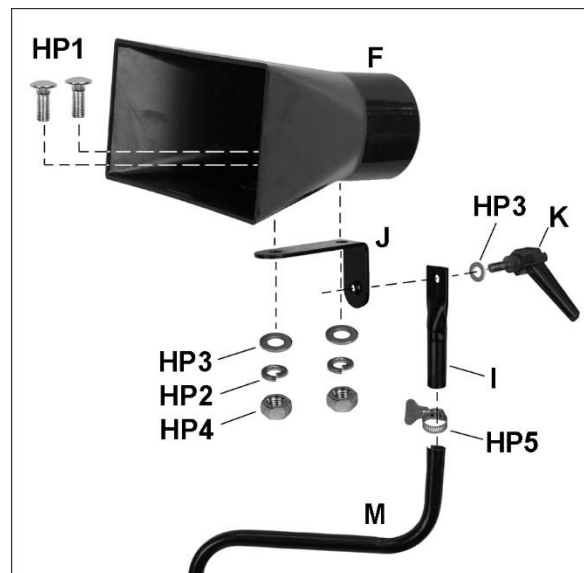


Figure 5-4

5. Push inlet adaptor (N, Figure 5-5) onto inlet port until the holes align, and secure with the provided self-tapping screws.
6. Press ring of inlet cap (L) onto adaptor. Press cap over inlet when inlet is not being used.

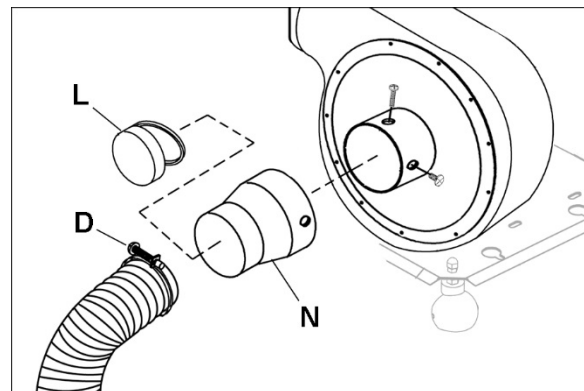


Figure 5-5

7. Place a 4-inch wire clamp (D, Figure 5-5) onto end of hose, and install hose to adaptor. Tighten wire clamp with screwdriver.
8. If using the dust funnel, connect opposite end of hose to funnel port and secure with 4-inch wire clamp. Or, connect hose to dust port of woodworking machine, and secure with wire clamp.
9. Place 5-inch diameter wire clamp (E, Figure 5-6) onto end of collection bag, and slide bag onto exhaust port. Tighten cloth strap and wire clamp.

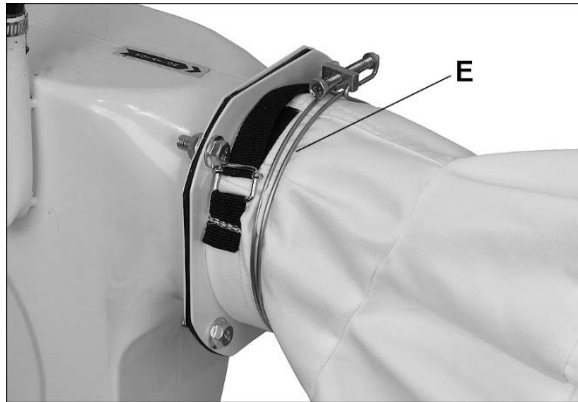


Figure 5-6

5.5 Wall mounting

The dust collector can be suspended from a wall for operation or storage. **The wall mount plate must be centered over a wall stud.**

⚠WARNING The wall/supporting structure must be capable of supporting the weight of the dust collector and safely absorbing any vibration from the machine.

1. Position mount plate (H, Figure 8-7) on wall, make sure it is level, then mark the 3 hole locations. The center hole **must be centered on a wall stud**, and should be approximately 40 inches from floor – this ensures the collection bag will contact the floor for support.
2. Remove mount plate, and drill 1/4-inch pilot hole into wall stud at center mark.
3. Drill two 5/32-inch holes in wall at outer hole locations, and push a screw anchor (HP8) into each hole.
4. Install mount plate using lag screw (HP6) through center, and pan head screws (HP7) through outer holes. Tighten securely.
5. Install flat washer and nylon lock nut (HP9/10) on the end of each stud.
6. Place the dust collector on the studs, as shown in Figure 5-8, and tighten the lock nuts enough to secure the unit to the wall. The casters should not rotate when the unit is properly secured.

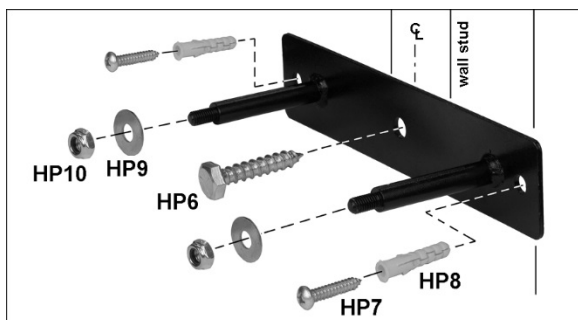


Figure 5-7



Figure 5-8

6.0 Electrical connections

⚠WARNING Electrical connections must be made by a qualified electrician in compliance with all relevant codes. This machine must be properly grounded to help prevent electrical shock and possible fatal injury.

The DC-500P Dust Collector is rated at 115/230V power, and is pre-wired for 115 volt. The unit comes with a plug designed for use on a circuit with a grounded outlet that looks like the one pictured in A, Figure 6-1.

Before connecting to power source, be sure switch is in *off* position.

It is recommended that the dust collector be connected to a dedicated 15 amp circuit with circuit breaker or time-delay fuse marked "D". **Local codes take precedence over recommendations.**

6.1 GROUNDING INSTRUCTIONS

1. All Grounded, Cord-connected Tools:

This machine must be grounded. In the event of a malfunction or breakdown, grounding provides a path of least resistance for electric current to reduce the risk of electric shock. This tool is equipped with an electric cord having an equipment-grounding conductor and a grounding plug. The plug must be plugged into a matching outlet that is properly installed and grounded in accordance with all local codes and ordinances.

Do not modify the plug provided - if it will not fit the outlet, have the proper outlet installed by a qualified electrician.

Improper connection of the equipment-grounding conductor can result in a risk of electric shock. The conductor with insulation having an outer surface that is green with or without yellow stripes is the equipment-grounding conductor. If repair or replacement of the electric cord or plug is

necessary, do not connect the equipment-grounding conductor to a live terminal.

⚠WARNING Check with a qualified electrician or service personnel if the grounding instructions are not completely understood, or if in doubt as to whether the tool is properly grounded. Failure to comply may cause serious or fatal injury.

Use only 3-wire extension cords that have 3-prong grounding plugs and 3-pole receptacles that accept the tool's plug. Repair or replace damaged or worn cord immediately.

2. Grounded, cord-connected tools intended for use on a supply circuit having a nominal rating **less than 150 volts**:

This tool is intended for use on a circuit that has an outlet that looks like the one illustrated in **A**, Figure 6-1. An adapter, shown in **B** and **C**, may be used to connect this plug to a 2-pole receptacle as shown in **B** if a properly grounded outlet is not available. The temporary adapter should be used only until a properly grounded outlet can be installed by a qualified electrician. *This adapter is not permitted in Canada.* The green-colored rigid ear, lug, and the like, extending from the adapter must be connected to a permanent ground such as a properly grounded outlet box.

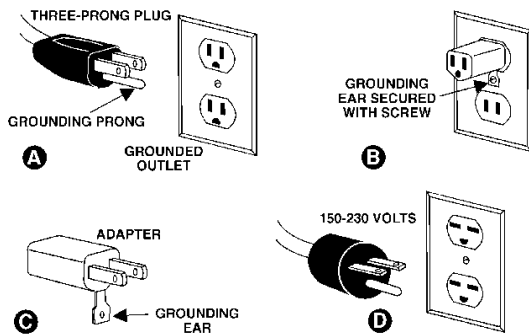


Figure 6-1

3. Grounded, cord-connected tools intended for use on a supply circuit having a nominal rating between **150 - 250 volts**, inclusive:

This tool is intended for use on a circuit that has an outlet that looks like the one illustrated in **D**, Figure 6-1. The tool has a grounding plug that looks like the plug illustrated in **D**. Make sure the tool is connected to an outlet having the same configuration as the plug. No adapter is available or should be used with this tool. If the tool must be reconnected for use on a different type of electric circuit, the reconnection should be made by qualified service personnel; and after reconnection, the tool should comply with all local codes and ordinances.

6.2 Voltage conversion

To convert the dust collector to 230-volt power, remove motor junction box cover and change the incoming power leads, according to diagram affixed inside cover. This diagram is also shown in Figure 6-2. NOTE: In case of discrepancy, diagram on machine takes precedence.

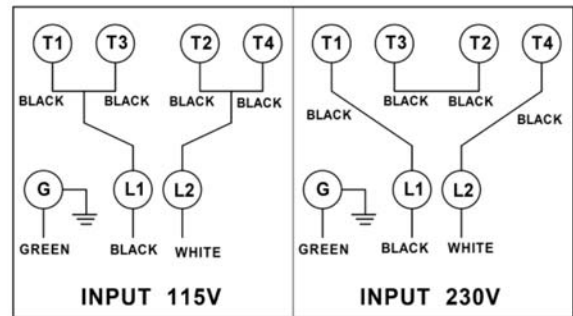


Figure 6-2

6.3 Extension cords

The use of extension cords is discouraged; try to position machines near the power source. If an extension cord is necessary, make sure it is in good condition. When using an extension cord, be sure to use one heavy enough to carry the current your product will draw. An undersized cord will cause a drop in line voltage resulting in loss of power and overheating. Table 1 shows correct size to use depending on cord length and nameplate ampere rating. If in doubt, use the next heavier gauge. The smaller the gauge number, the heavier the cord.

Ampere Rating		Volts	Total length of cord in feet			
			25	50	100	150
More Than	Not More Than	120	25	50	100	150
		240	50	100	200	300
			AWG			
0	6		18	16	16	14
6	10		18	16	14	12
10	12		16	16	14	12
12	16		14	12	Not Recommended	

Table 1: Extension cord recommendations

6.4 Grounding wire information

A green grounding wire is connected to the base of the dust collector, and can be used to connect to dust hose or pipe systems to prevent static electricity buildup. If you are using the DC-500P as part of a larger shop system with hoses or PVC pipe, you should seek further information from website forums or experienced users as to proper and safe methods for prevention of static electricity buildup.

7.0 Operation

7.1 Switch key

To prevent accidental or unauthorized use, turn machine off and remove safety key (Figure 7-1). Store key in a safe place, inaccessible to children. Key must be reinserted to start unit.



Figure 7-1

8.0 User-maintenance

⚠WARNING Turn OFF dust collector and remove plug from power source before performing adjustments or maintenance. Failure to comply may result in serious injury.

No lubrication is required for the dust collector. All bearings are pre-lubricated and sealed and require no further attention.

Empty collection bag when full.

The cloth dust collection bag is washable.

Make frequent inspections of motor fan, and blow out (with low pressure air hose) or vacuum any accumulation of foreign material to maintain normal motor ventilation.

8.1 Additional servicing

Any other servicing should be performed by an authorized service representative.

9.0 Troubleshooting DC-500P Dust Collector

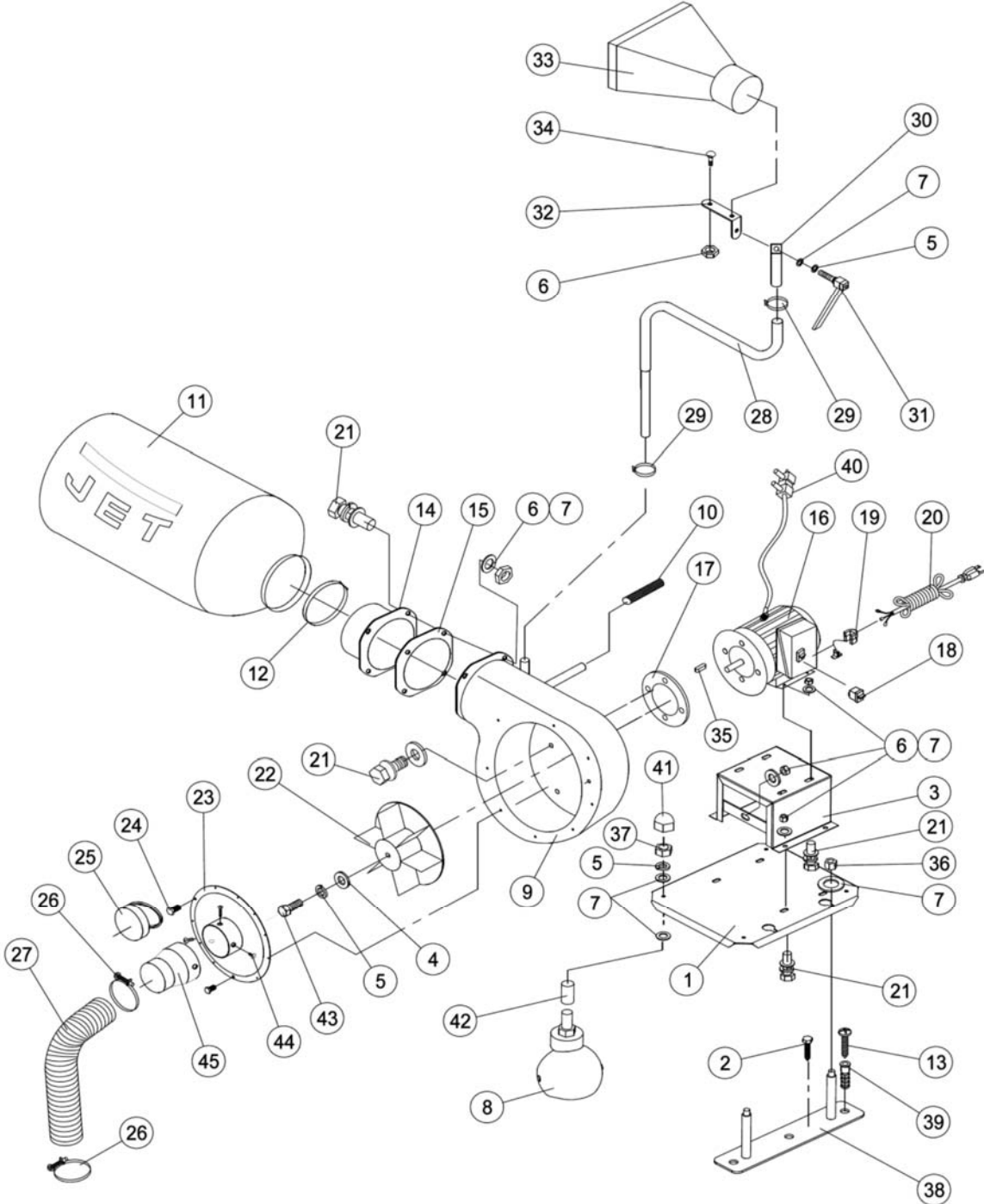
Symptom	Possible Cause	Correction*
Motor will not start.	No incoming current.	Check connections at plug or circuit panel.
	Safety key missing from switch.	Install safety key.
	Low voltage.	Check power line for proper voltage.
	Open circuit in motor or loose connection.	Inspect all connections to switch box and motor for loose or open connections.
	Faulty start switch.	Inspect and replace switch if needed.
	Faulty start capacitor.	Replace capacitor.
	Faulty motor.	Inspect and replace motor if needed.
Motor will not start: fuse blows or circuit breaker trips.	Too many machines on shared circuit.	Turn off other machines on circuit, or connect unit to dedicated circuit.
	Short circuit in line cord or plug.	Inspect cord or plug for damaged insulation and shorted wires.
	Short circuit in motor or loose connections.	Inspect all connections on motor for loose or shorted terminals or worn insulation.
	Incorrect fuse or circuit breaker in power line.	Install correct fuse or circuit breaker at power source.
Motor overheats.	Motor overloaded.	Reduce load on motor.
	Air circulation through motor is restricted.	Clean motor fan with compressed air to restore normal air circulation.
	Faulty capacitor.	Replace run capacitor.
Motor stalls, resulting in blown fuses or tripped circuit.	Motor overloaded.	Reduce load on motor.
	Impeller blocked with debris.	Empty bag, clean out hoses and housing.
	Short circuit in motor or loose connections.	Inspect connections on motor for loose or shorted terminals or worn insulation.
	Low voltage.	Correct low voltage conditions.
	Incorrect fuse or circuit breaker in power line.	Install correct fuse or circuit breaker.
Loud noise or vibrations coming from machine.	Loose fasteners.	Inspect machine and tighten all fasteners.
	Motor fan is hitting the cover.	Tighten fan or shim cover. Replace fan cover if damaged.
	Impeller damaged.	Replace impeller.
Poor performance; lack of suction.	Hose improperly secured at dust origination point.	Inspect and remedy.
	Collection bag is full.	Empty bag.
	Wood has excess moisture content.	Use lumber with lower moisture content.
	Obstruction in dust hose or inlet port.	Inspect and clear obstruction.

* **WARNING:** Some corrections may require a qualified electrician.

10.0 Replacement Parts

To order parts or reach our service department, call 1-800-274-6848 Monday through Friday, 8:00 a.m. to 5:00 p.m. CST. Having the Model Number and Serial Number of your machine available when you call will allow us to serve you quickly and accurately. Non-proprietary parts, such as fasteners, can be found at local hardware stores, or may be ordered from JET. Some parts are shown for reference only, and may not be available individually.

10.1.1 DC-500P Portable Dust Collector – Exploded View

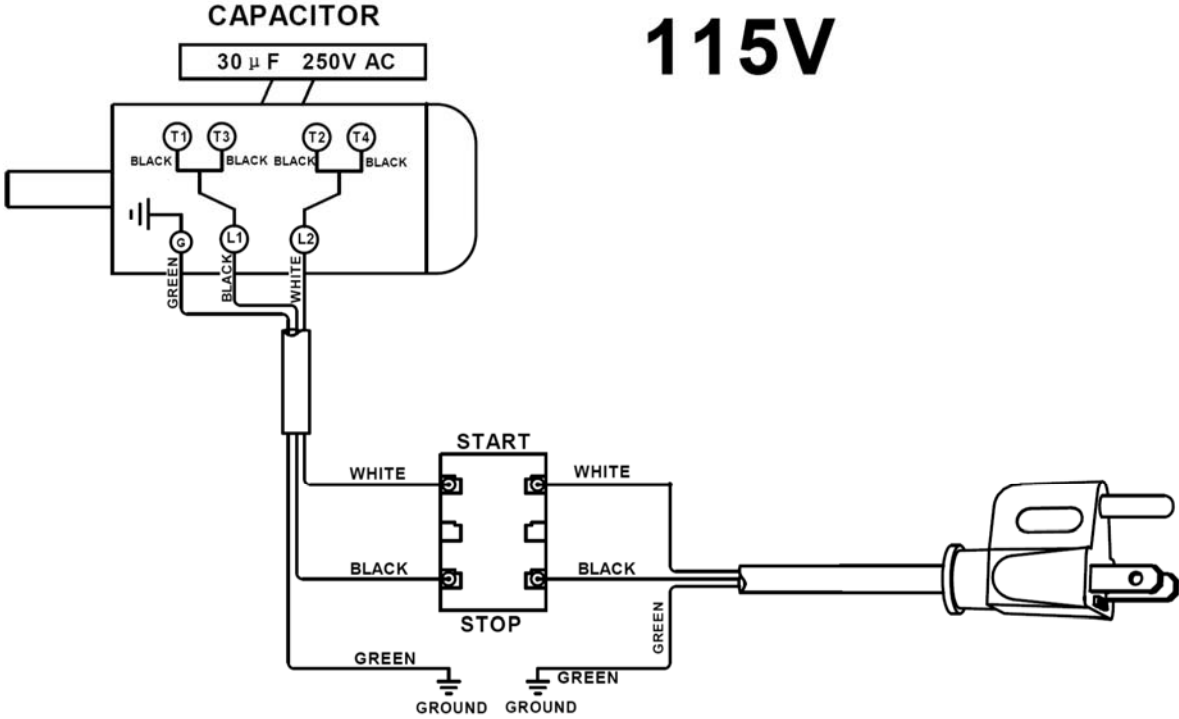


10.1.2 DC-500P Portable Dust Collector – Parts List

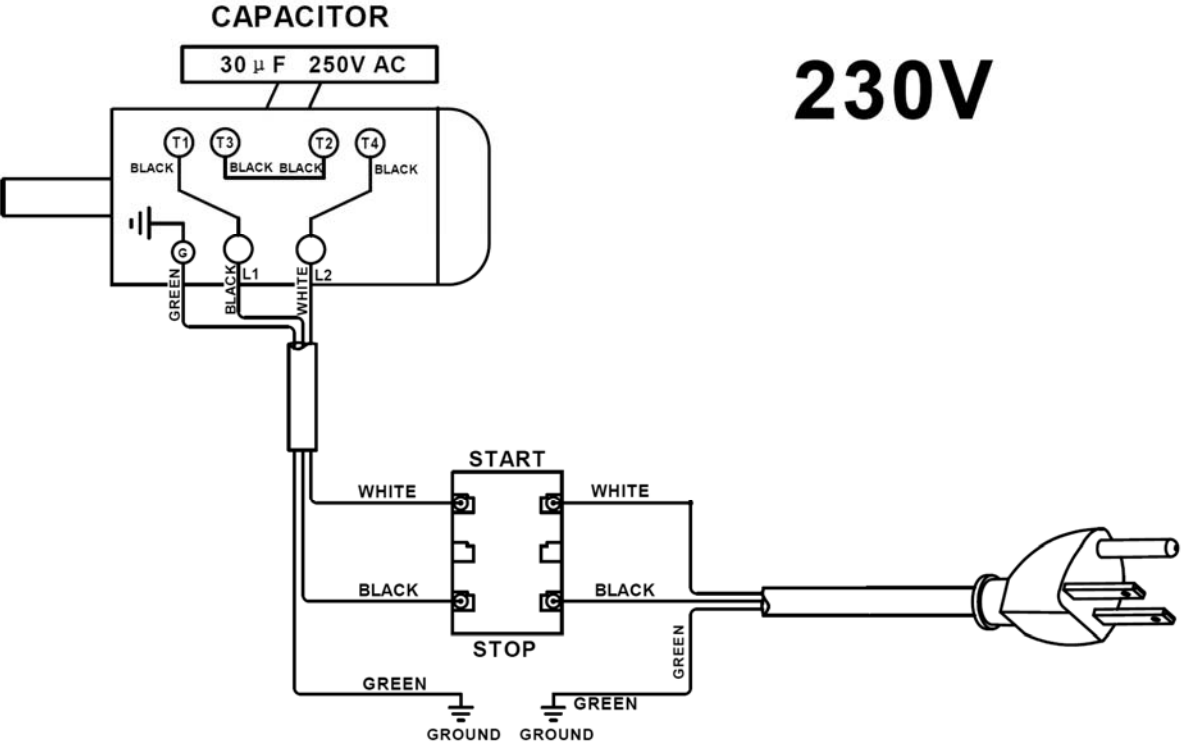
Index No	Part No	Description	Size	Qty
1	DC500P-001	Base		1
2	DC500P-002	Hex Cap Lag Screw	ST9.5x50 mm	1
3	DC500P-003	Motor Base		1
4	DC500P-004	Washer		1
5	TS-2361081	Lock Washer	8mm	5
6	TS-2311081	Hex Nut	M8	15
7	TS-1550061	Flat Washer	8mm	11
8	DC500P-008	Caster		4
9	DC500P-009	Impeller Housing		1
10	DC500P-010	Handle Grip		1
11	DC500P-011	Collector Bag		1
12	DC500P-012	Wire Clamp	Ø5"	1
13	DC500P-013	Phillips Self-Tapping Screw	ST6.3x32 mm	2
14	DC500P-014	Exhaust Flange		1
15	DC500P-015	Gasket		1
16	DC500P-016	Motor Assembly	3/4HP 115V	1
	DC500P-016WD	Wiring Diagram (not shown)		1
	DC500P-016ML	Motor Label, DC500P (not shown)		1
	DC500P-016MF	Motor Fan (not shown)		1
	DC500P-016RC	Running Capacitor (not shown)	40µF, 450V	1
	DC500P-016JB	Junction Box (not shown)		1
	DC500P-016JBC	Junction Box Cover (not shown)		1
17	DC500P-017	Motor Gasket		1
18	DC500P-018	Switch with Key		1
19	DC500P-019	Strain Relief		1
20	DC500P-020	Power Cord with Plug	16AWGx3C, 7-1/2ft.	1
21	TS-1490031	Hex Head Bolt	M8x20	17
22	DC500P-022	Impeller		1
23	DC500P-023	Cover Assembly		1
24	DC500P-024	Philips Pan Hd Self-Tapping Screw	ST4.2x12.7 mm	10
25	DC500P-025	Inlet Cap		1
26	DC500P-026	Wire Clamp	Ø4"	2
27	DC500P-027	Flexible Hose	Ø4" x 10'	1
28	DC500P-028	Lower Support Tube		1
29	DC500P-029	Butterfly Clamp		2
30	DC500P-030	Upper Support Tube		1
31	DC500P-031	Locking Handle		1
32	DC500P-032	Funnel Support Bracket		1
33	DC500P-033	Dust Funnel		1
34	DC500P-034	Carriage Bolt	M8x20	2
35	DC500P-035	Key Dbl Rd Hd	C6x25mm	1
36	TS-1541031	Nylon Lock Hex Nut	M8	2
37	TS-2342101	Nylon Lock Hex Nut	M10	4
38	DC500P-038	Wall Mount Plate		1
39	DC500P-039	Screw Anchor		2
40	DC500P-040	Ground wire		1
41	TS-2331081	Cap Nut	M8	4
42	DC500P-042	Sleeve		4
43	TS-1490031	Hex Cap Screw	M8x20	1
44	JWBS14SFX-179	Philips Pan Head Self-Tapping Screw	ST4.2x10	3
45	DC500P-045	Inlet Adapter		1
	LM000353	ID Label, DC-500P (not shown)		1
	LM000355	Warning Label, DC-500P (not shown)		1
	LM000356	Rotation Label, DC-500P (not shown)		1
	JET-92	JET Logo (not shown)	92x38mm	1

11.0 Electrical Connections for DC-500P

11.1 Electrical Connections for 3/4HP, 1PH, 115V only



11.2 Electrical Connections for 3/4HP, 1PH, 230V only



12.0 Warranty and service

JET warrants every product it sells against manufacturers' defects. If one of our tools needs service or repair, please contact Technical Service by calling 1-800-274-6846, 8AM to 5PM CST, Monday through Friday.

Warranty Period

The general warranty lasts for the time period specified in the literature included with your product or on the official JET branded website.

- JET products carry a limited warranty which varies in duration based upon the product. (See chart below)
- Accessories carry a limited warranty of one year from the date of receipt.
- Consumable items are defined as expendable parts or accessories expected to become inoperable within a reasonable amount of use and are covered by a 90 day limited warranty against manufacturer's defects.

Who is Covered

This warranty covers only the initial purchaser of the product from the date of delivery.

What is Covered

This warranty covers any defects in workmanship or materials subject to the limitations stated below. This warranty does not cover failures due directly or indirectly to misuse, abuse, negligence or accidents, normal wear-and-tear, improper repair, alterations or lack of maintenance. JET woodworking machinery is designed to be used with Wood. Use of these machines in the processing of metal, plastics, or other materials outside recommended guidelines may void the warranty. The exceptions are acrylics and other natural items that are made specifically for wood turning.

Warranty Limitations

Woodworking products with a Five Year Warranty that are used for commercial or industrial purposes default to a Two Year Warranty. Please contact Technical Service at 1-800-274-6846 for further clarification.

How to Get Technical Support

Please contact Technical Service by calling 1-800-274-6846. **Please note that you will be asked to provide proof of initial purchase when calling.** If a product requires further inspection, the Technical Service representative will explain and assist with any additional action needed. JET has Authorized Service Centers located throughout the United States. For the name of an Authorized Service Center in your area call 1-800-274-6846 or use the Service Center Locator on the JET website.

More Information

JET is constantly adding new products. For complete, up-to-date product information, check with your local distributor or visit the JET website.

How State Law Applies

This warranty gives you specific legal rights, subject to applicable state law.

Limitations on This Warranty

JET LIMITS ALL IMPLIED WARRANTIES TO THE PERIOD OF THE LIMITED WARRANTY FOR EACH PRODUCT. EXCEPT AS STATED HEREIN, ANY IMPLIED WARRANTIES OF MERCHANTABILITY AND FITNESS FOR A PARTICULAR PURPOSE ARE EXCLUDED. SOME STATES DO NOT ALLOW LIMITATIONS ON HOW LONG AN IMPLIED WARRANTY LASTS, SO THE ABOVE LIMITATION MAY NOT APPLY TO YOU.

JET SHALL IN NO EVENT BE LIABLE FOR DEATH, INJURIES TO PERSONS OR PROPERTY, OR FOR INCIDENTAL, CONTINGENT, SPECIAL, OR CONSEQUENTIAL DAMAGES ARISING FROM THE USE OF OUR PRODUCTS. SOME STATES DO NOT ALLOW THE EXCLUSION OR LIMITATION OF INCIDENTAL OR CONSEQUENTIAL DAMAGES, SO THE ABOVE LIMITATION OR EXCLUSION MAY NOT APPLY TO YOU.

JET sells through distributors only. The specifications listed in JET printed materials and on official JET website are given as general information and are not binding. JET reserves the right to effect at any time, without prior notice, those alterations to parts, fittings, and accessory equipment which they may deem necessary for any reason whatsoever. JET® branded products are not sold in Canada by JPW Industries, Inc.

Product Listing with Warranty Period

90 Days – Parts; Consumable items
1 Year – Motors; Machine Accessories
2 Year – Metalworking Machinery; Electric Hoists, Electric Hoist Accessories; Woodworking Machinery used for industrial or commercial purposes
5 Year – Woodworking Machinery
Limited Lifetime – JET Parallel clamps; VOLT Series Electric Hoists; Manual Hoists; Manual Hoist Accessories; Shop Tools; Warehouse & Dock products; Hand Tools; Air Tools

NOTE: JET is a division of JPW Industries, Inc. References in this document to JET also apply to JPW Industries, Inc., or any of its successors in interest to the JET brand.



427 New Sanford Road
LaVergne, Tennessee 37086
Phone: 800-274-6848
www.jettools.com